

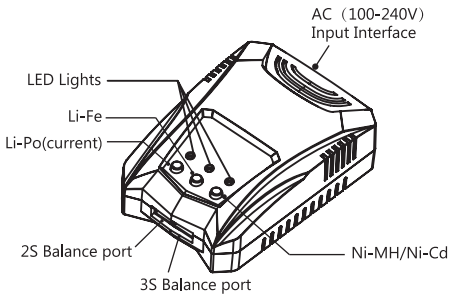
Thanks for purchasing JETANA product, this product is easy to operate, but also require some expertise, please read this manual completely to ensure better and safety use.

【Features】

1. Smaller, Built-in power supply, working without additional adapter.
2. Support Li-Po, Li-Fe, Ni-MH/Ni-Cd, multi-usage.
3. The maximum current is 2.0A, less cell count can charge quickly.
4. It can be protective when connect the wire inversely.
5. The maximum charging current is adjustable, the small battery capacity can be switched to a small current to protect the battery.

【Specification】

1. Input: AC 100V-240V 50/60Hz
2. Battery type: Li-Po, Li-Fe, Ni-MH/Ni-Cd
3. Cell count: Li-Po, Li-Fe 2-3s, Ni-MH/Ni-Cd 4-8s
4. Charge current: 2.0A
5. Output power: Max 16W



Li-Po/Li-Fe Battery connection diagram



Ni-MH/Ni-Cd Battery connection diagram

【Set the current】

The current can be choose, there is two types (0.7A and 2.0A for default value) for setting the current.

Setting method: In standby mode, press and hold the Li-Po button for more than 2seconds can switch the current. (The red and yellow leds are lighting normally on means the

current have been switched to 0.7A, and if three LEDs are lighting at the same time, it representatives the current is 2.0 A). Then you can press any key to exit the seting, and start to charging with pressing the corresponding battery button. The charger will restore to the default value (2.0 A) for each new charging.

【Charging】

1. Connect the charger to AC power.
2. The green light of charger is normally on, it means working.
3. If you need to switch the current to 0.7A, please set up according to the above steps.
4. Three keys to switch the battery type (green light: Li-po, yellow light: Li-Fe, red light: Ni-MH/Ni-Cd), press the keys, the corresponding light will light up.
5. Connecting the correct battery to the corresponding battery type, when the battery is the Ni-MH/Ni-Cd please use tieline to connect.
6. Short press the corresponding keys of LED light (the corresponding keys of battery type), the light flashing, it start to charge.
7. Press the corresponding keys can stop charging in the process of charging, or when the battery is full and the LED light change to sustained lighting, then it can put out the battery.

【Attention】

1. Before using, please confirm whether the input power and battery type are suitable for the parameters of this product.
2. Please arrange someone to guard the charging, if there is any abnormal situation, please power off immediately and pull out the battery.
3. Don't switch the battery type when charging, if three LED flashing rapidly means occur wrong, should pull out the battery and insert again.
4. Don't connect 2s or 3s battery to balance port at the same time, and don't connect the different type battery to the charger.
5. Must use the tieline to connect charger when the battery type is Ni-MH/Ni-Cd.

【Warranty】

We warrant this product for a period of one year (12 months) from the date of purchasing. The guarantee applies only to the quality problems of the product. During that period, we will replace or repair the unit without any service fee. Invoice or receipt is required. This warranty does not cover the damage due to wear, overloading, water, improper handing or using of incorrect accessories.

LN416 多功能充電器使用說明書



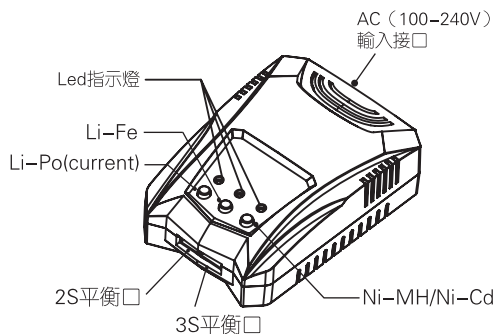
感謝您選擇我公司的產品，該產品簡單易用，但它的操作也需要用戶的一些相關知識，為了能夠更好而且安全的使用本產品，請在使用前完整的閱讀本手冊。

【產品特點】

- 1.體積小巧，自帶電源，不需要額外的適配器即可工作。
- 2.支持主流的Li-Po, Li-Fe, Ni-MH/Ni-Cd三種電池類型，一機多用。
- 3.最大充電電流可達2.0A，低電池節數時可以較快的完成充電。
- 4.產品自帶反接保護功能，以確保產品和電池的安全。
- 5.最大充電電流可調，當電池容量較小時可切換成小電流，保護電池。

【產品參數】

- 1.輸入電壓：AC 100V-240V 50/60Hz
- 2.支持電池類型：Li-Po, Li-Fe, Ni-MH/Ni-Cd
- 3.支持Li-Po, Li-Fe節數 2-3s, Ni-MH/Ni-Cd節數 4-8s
- 4.充電電流：2.0A
- 5.最大輸出功率：16W



Li-Po/Li-Fe電池連接示意圖



Ni-MH/Ni-Cd 電池連接示意圖

【設置電流】

充電器可設置充電電流，分別有0.7A、2.0A（默認）兩檔電流可供設置。

設置方法：在待機狀態下按下Li-Po鍵2秒鐘以上不放，則可將電流切換。（當紅色和黃色指示燈長亮時代表已經將電流設置成0.7A，當三個指示燈全部常亮時代表已經將電流設置成2.0A）。此時可以短按任意按鍵退出設置，退出後可按對應的電池類型按鍵開始充電。充電器每次重新通電後都會恢復默認的2.0A設置。

【充電過程】

- 1.將充電器接通AC電源。
- 2.充電器綠色指示燈常亮，此時表示充電器工作正常。
- 3.如果需要切換電流至0.7A，則按如上步驟切換。
- 4.通過三個按鍵來切換電池類型（綠燈對應的按鍵表示Li-Po，黃燈對應的按鍵表示Li-Fe，紅燈對應的按鍵表示Ni-MH/Ni-Cd），當按下按鍵後，對應的指示燈會亮起，此時表示電池類型切換成功。
- 5.按電池類型插入對應的電池，當電池為Ni-MH/Ni-Cd時請使用轉接線連接。
- 6.再次短按指示燈對應的按鍵（即電池類型對應的按鍵），此時指示燈閃爍，表示電池開始充電。
- 7.充電過程中按下對應按鍵停止充電或者當電池充滿時，指示燈轉為常亮，此時可拔出電池。

【注意事項】

- 1.請在使用前確認輸入電源和電池類型與本產品的參數適合。
- 2.充電過程中請確保有人看守，若發生任何異常情況，請立刻斷開電源並且拔出電池。
- 3.充電時請勿切換電池類型，如三個LED快速閃爍以示錯誤，則需拔出電池重新插入。
- 4.請勿同時將2S和3S電池插入平衡口，也不要將不同種類的電池同時接入充電器。
- 5.充Ni-MH/Ni-Cd電池時請務必使用轉接線進行連接。

【保修條款】

我們對所購買的產品質量保1年，自購買之日起，這個質保只適用於產品在購買後出現產品質量問題。在產品保修期間，只要您憑借購買憑證（發票或收據）一切有質量問題的產品都可以免費維修或更換。但由於磨損，超負荷，人為操作不當所造成的損壞，則不予以免費維修或替換。